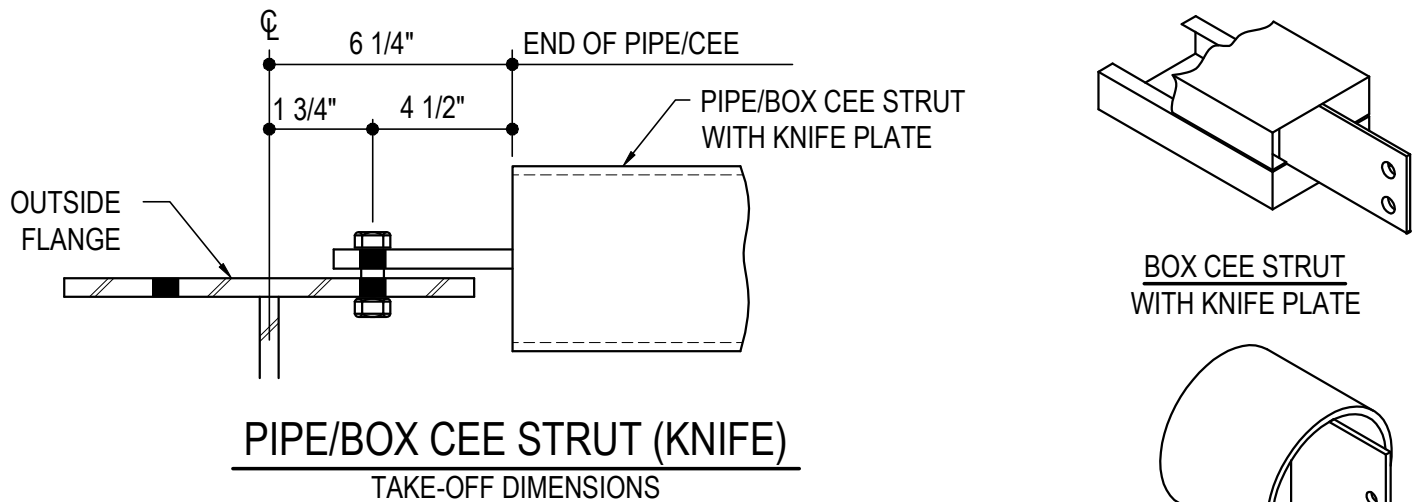
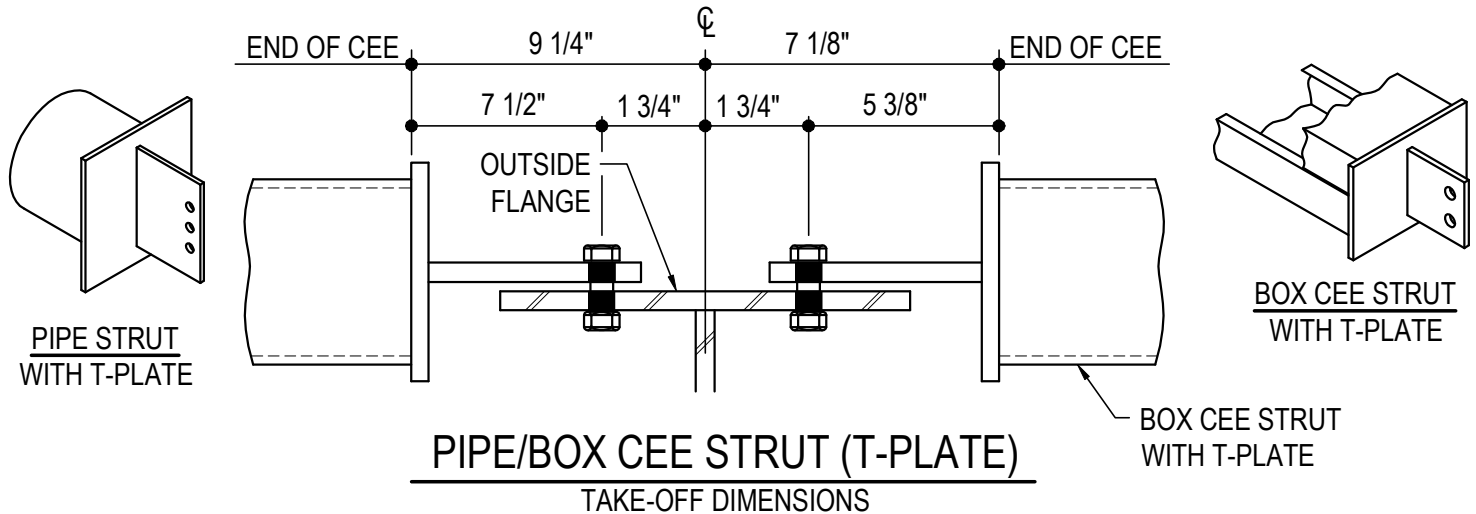


## **BRACE STRUT DETAILS**

- AK0050 - PIPE OR BOX STRUT AT COLUMN/RAFTER FLANGE
  - AK0090 - BRACING DETAIL AT STRUT WITH FLANGE CONNECTION
  - AK0160 - 2-BOLT 6" PIPE OR BOX STRUT AT WEB OF COLUMN/RAFTER (8" MIN. COLUMN/RAFTER)
  - AK0161 - 2-BOLT 6" PIPE OR BOX STRUT AT WEB OF COLUMN/RAFTER (WITH LINERS AND 11" MIN. COLUMN/RAFTER)
  - AK0165 - 2-BOLT 6" PIPE OR BOX STRUT AT WEB OF COLUMN/RAFTER (WITH PADDLE BRACE)
  - AK0166 - 2-BOLT 6" PIPE OR BOX STRUT WITH TIERED PADDLE BRACING (STIFFENER CONNECTION)
  - AK0167 - 2-BOLT 6" PIPE OR BOX STRUT AT WEB WITH PADDLE BRACE (WITH LINER AT STIFFENER CONNECTION)
  - AK0170 - 3-BOLT 8" PIPE STRUT AT COLUMN/RAFTER (STIFFENER CONNECTION WITH 10" MIN. COLUMN/RAFTER)
  - AK0175 - 3-BOLT 6"/8" PIPE STRUT AT WEB OF COLUMN/RAFTER (STIFFENER WITH PADDLE BRACE)
  - AK0176 - 3-BOLT 6"/8" PIPE STRUT WITH TIERED PADDLE BRACING (STIFFENER CONNECTION)
  - AK0177 - 2-BOLT STRUT AT 8" ENDWALL (6" PIPE OR BOX CEE STRUT)
  - AK0300 - STRUT PURLIN DETAIL
-

AK0050 - PIPE OR BOX STRUT AT COLUMN/RAFTER FLANGE

[Download the DWG file by clicking here.](#)



- ON A 6" STRUT USE (2) 1" X 3 1/4" A325 BOLTS H0640/NUTS H0330
- ON A 8" STRUT USE (3) 1" X 3 1/4" A325 BOLTS H0640/NUTS H0330
- ON A 6"/8" T-PLATE STRUT USE (3) 1" X 3 1/4" A325 BOLTS H0640/NUTS H0330
- ON A BOX CEE STRUT USE (2) 1" X 3 1/4" A325 BOLTS H0640/NUTS H0330

## PIPE OR BOX STRUT AT COLUMN/RAFTER FLANGE

SEE PLANS & ELEVATIONS FOR MARK NUMBERS AND LOCATIONS  
REFERENCE ERECTOR NOTE FOR TYPICAL WASHER REQUIREMENTS

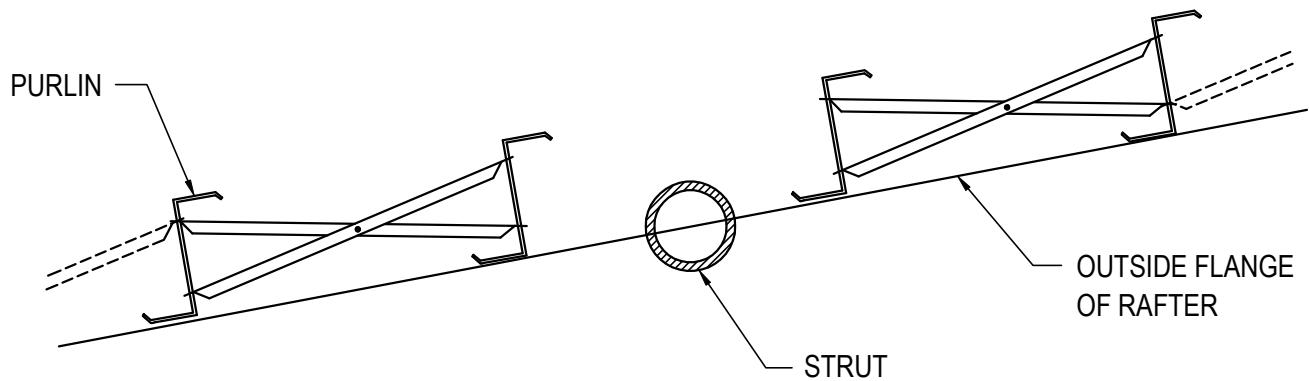
**AK0050**

Detailer Notes:

- 1) N/A

AK0090 - BRACING DETAIL AT STRUT WITH FLANGE CONNECTION

[Download the DWG file by clicking here.](#)



USE THIS DETAIL WHEN STRUT BOLTS TO RAFTER FLANGE  
TO AVOID INTERFERENCE WITH PURLIN BRACING.  
(REFERENCE STD. PURLIN BRACE DETAILS)

## BRACING DETAIL AT STRUT WITH FLANGE CONNECTION

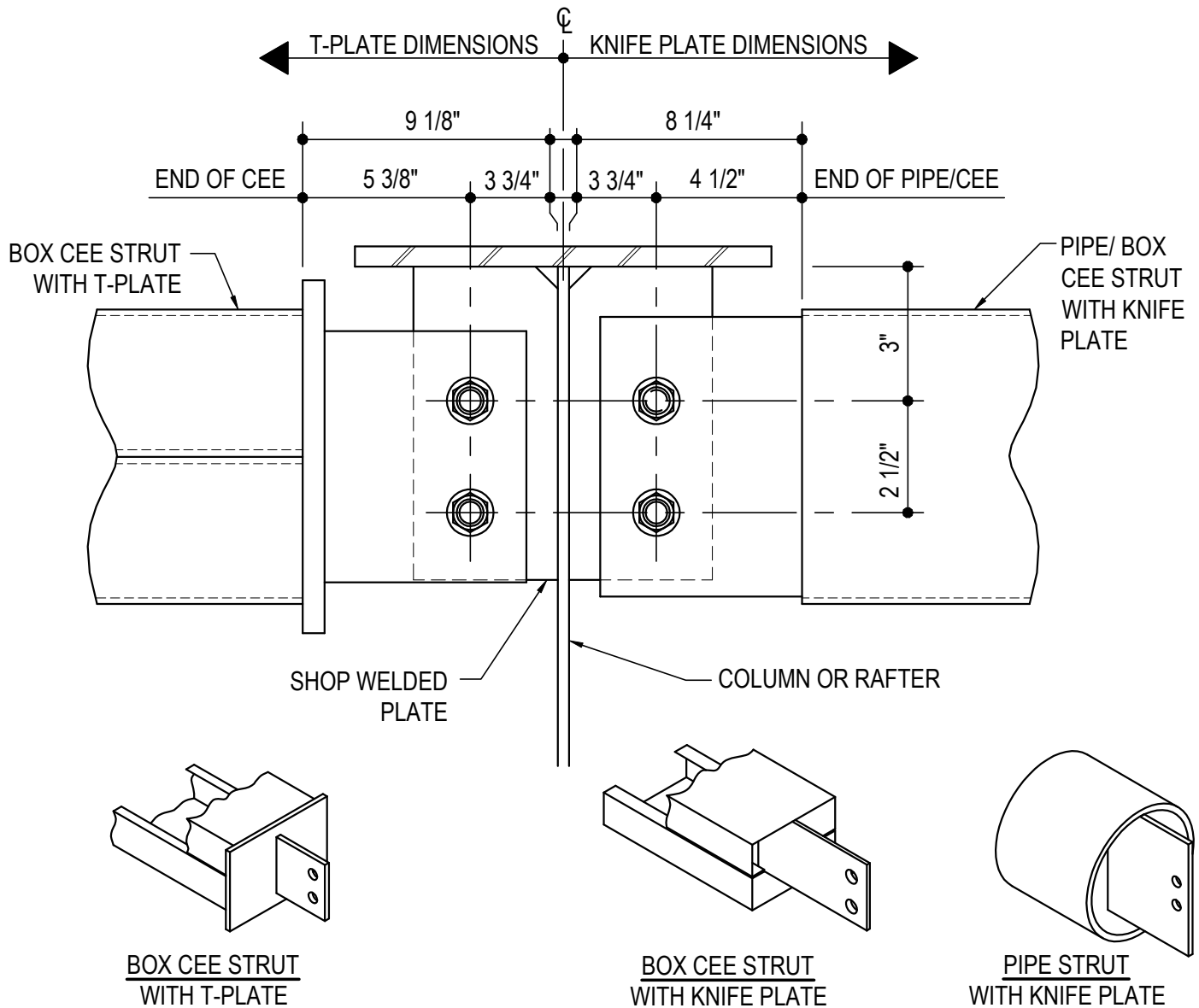
**AK0090**

Detailer Notes:

1) N/A

AK0160 - 2-BOLT 6" PIPE OR BOX STRUT AT WEB OF COLUMN/RAFTER (8" MIN. COLUMN/RAFTER)

[Download the DWG file by clicking here.](#)



NOTE: USE (2) 1" X 3 1/4" A325 BOLTS H0640/NUTS H0330

## 2-BOLT 6" PIPE OR BOX STRUT AT WEB OF COLUMN/RAFTER

8" MIN. COLUMN/RAFTER  
SEE PLANS & ELEVATIONS FOR MARK NUMBERS AND LOCATIONS

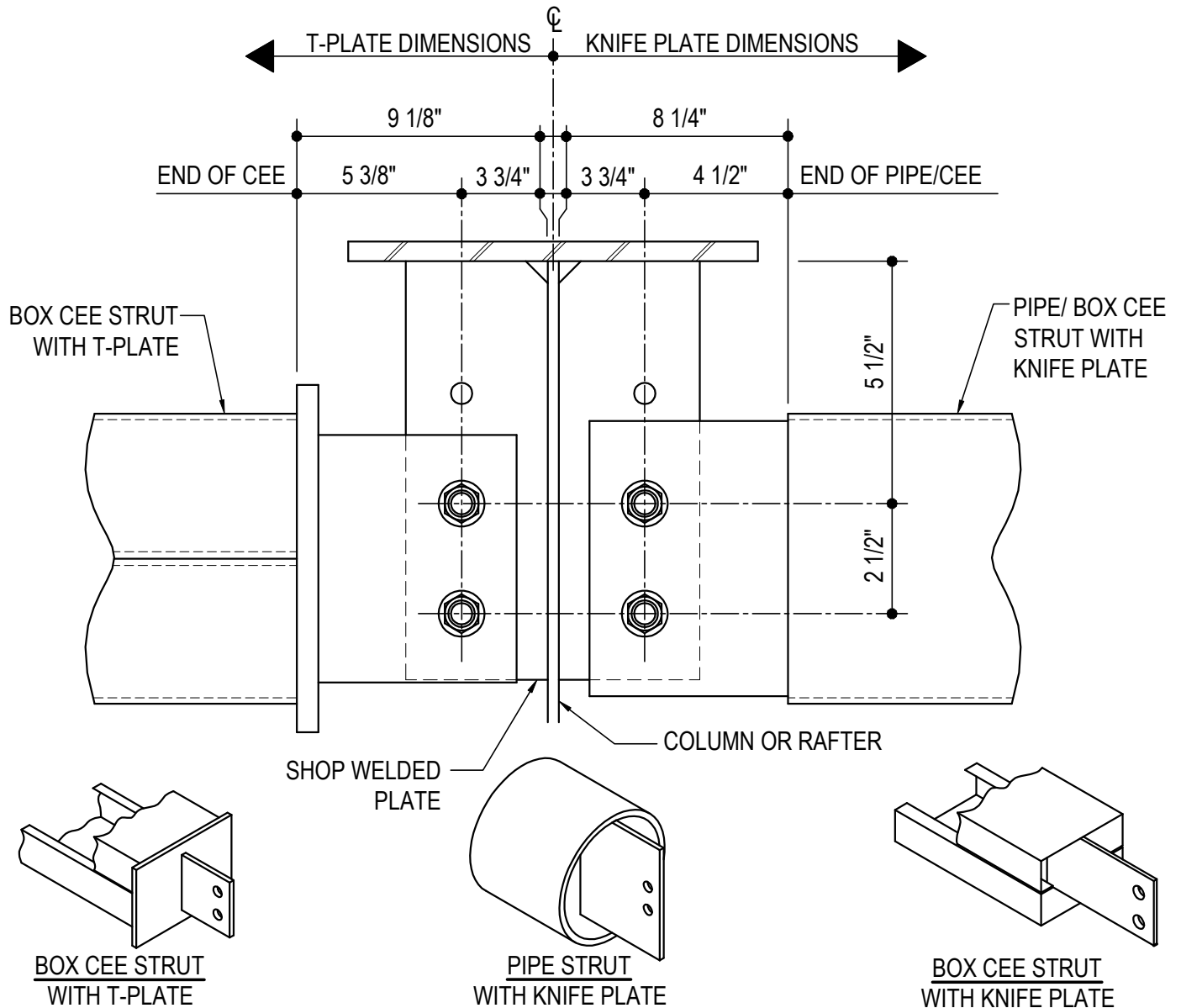
**AK0160**

Detailer Notes:

- 1) FOR PSC STANDARD PART MARKS AND THEIR LOCATIONS, SEE THE FABRICATED PARTS MANUAL AND THE DETAILING PROCEDURES MANUAL

AK0161 - 2-BOLT 6" PIPE OR BOX STRUT AT WEB OF COLUMN/RAFTER (WITH LINERS AND 11" MIN. COLUMN/RAFTER)

[Download the DWG file by clicking here.](#)



NOTE: USE (2) 1" X 3 1/4" A325 BOLTS H0640/NUTS H0330

## 2-BOLT 6" PIPE OR BOX STRUT AT WEB OF COLUMN/RAFTER

WITH LINERS AND 11" MIN. COLUMN/RAFTER  
SEE PLANS & ELEVATIONS FOR MARK NUMBERS AND LOCATIONS

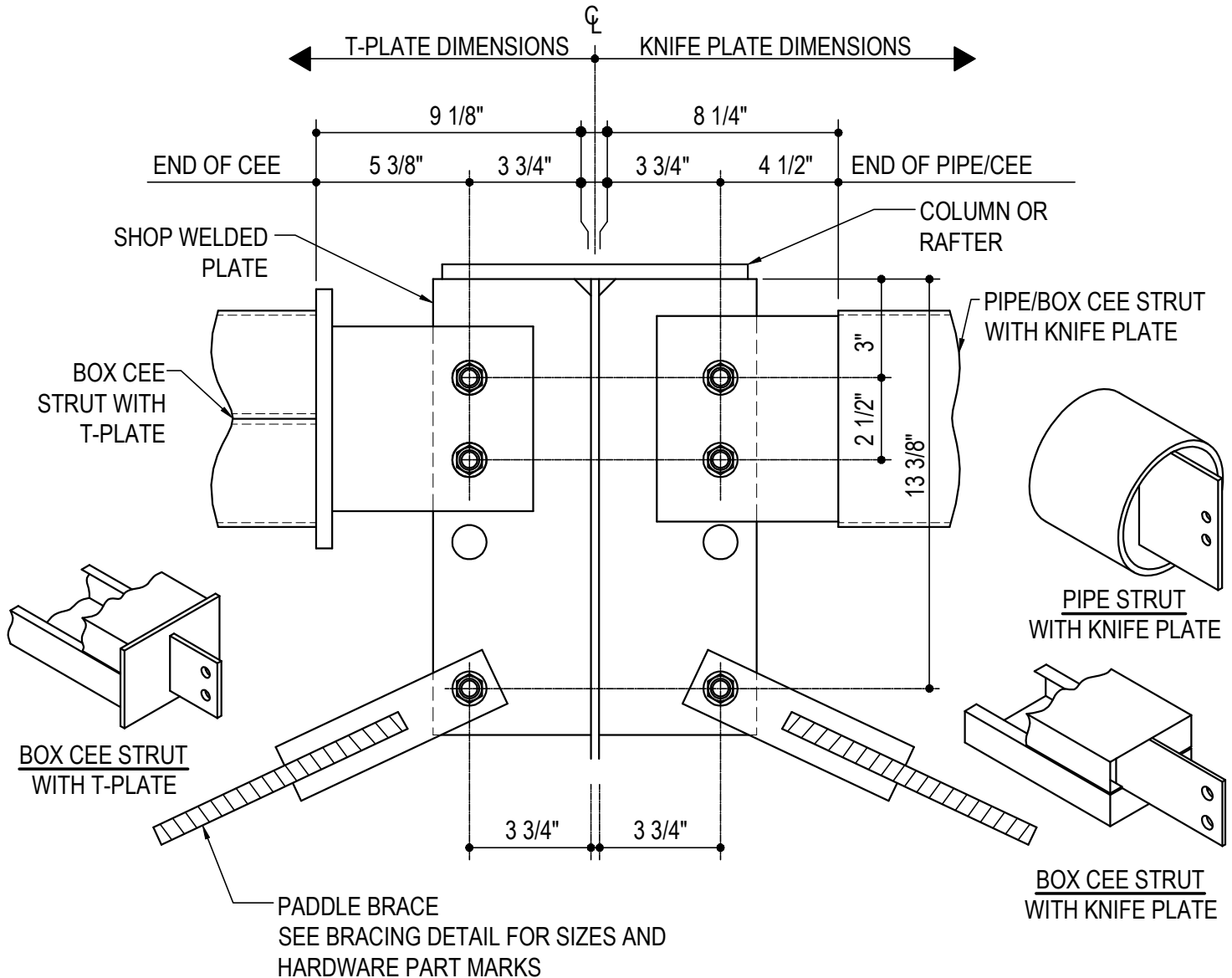
**AK0161**

**Detailer Notes:**

- 1) FOR PSC STANDARD PART MARKS AND THEIR LOCATIONS, SEE THE FABRICATED PARTS MANUAL AND THE DETAILING PROCEDURES MANUAL.
- 2) USE THIS DETAIL WHEN WALL AND/OR ROOF LINER INTERFERES WITH STRUT
- 3) USE THIS DETAIL WHEN BUILDING HAS FLUSH GIRTS WITH ROOF SLOPE GREATER THAN OR EQUAL TO 4:12

AK0165 - 2-BOLT 6" PIPE OR BOX STRUT AT WEB OF COLUMN/RAFTER (WITH PADDLE BRACE)

[Download the DWG file by clicking here.](#)



## 2-BOLT 6" PIPE OR BOX STRUT AT WEB OF COLUMN/RAFTER

WITH PADDLE BRACE

SEE PLANS & ELEVATIONS FOR MARK NUMBERS AND LOCATIONS

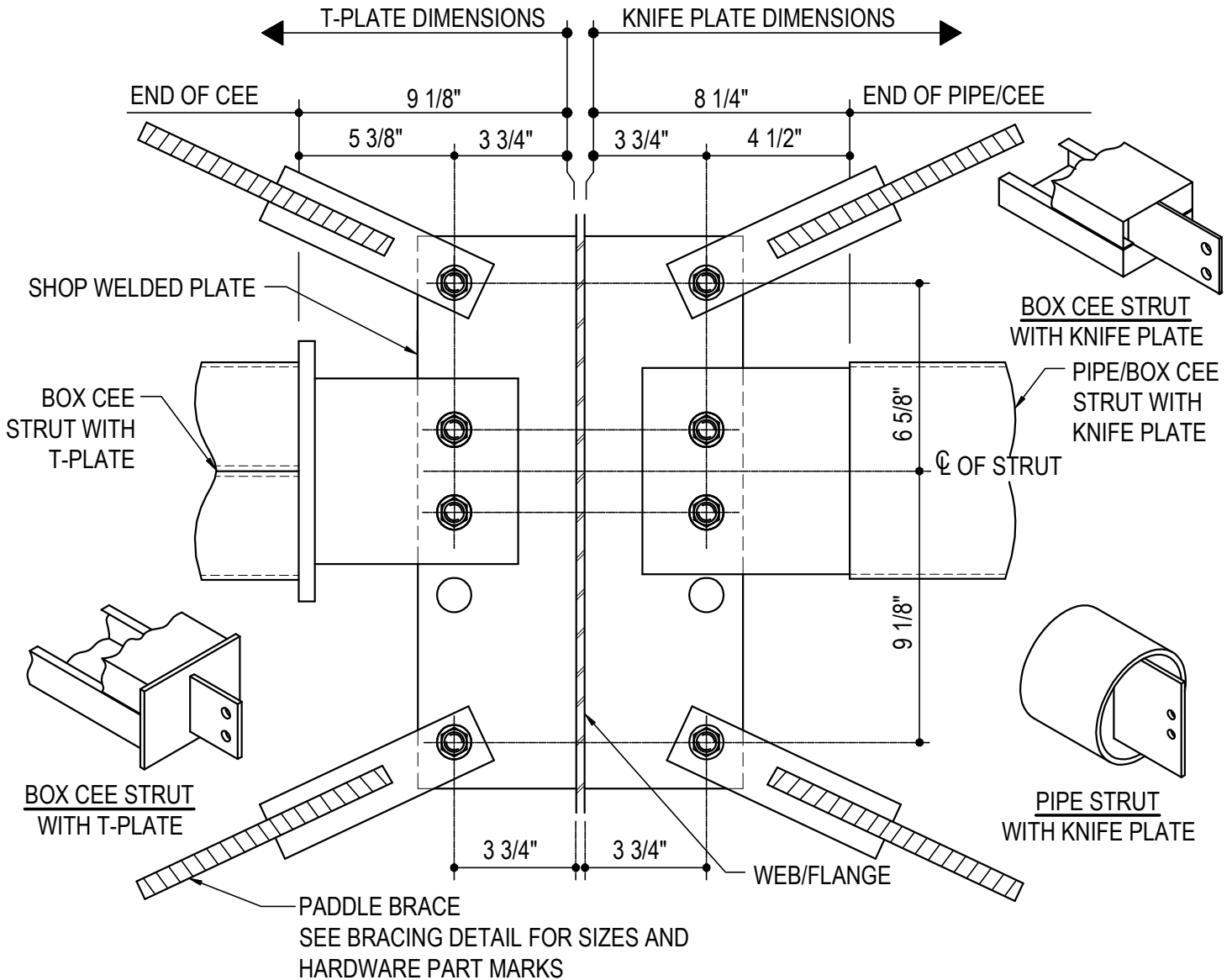
**AK0165**

**Detailer Notes:**

- 1) FOR PSC STANDARD PART MARKS AND THEIR LOCATIONS, SEE THE FABRICATED PARTS MANUAL AND THE DETAILING PROCEDURES MANUAL

AK0166 - 2-BOLT 6" PIPE OR BOX STRUT WITH TIERED PADDLE BRACING (STIFFENER CONNECTION)

[Download the DWG file by clicking here.](#)



NOTE: USE (2) 1" X 3 1/4" A325 BOLTS H0640/NUTS H0330 AT STRUT CONNECTION

## 2-BOLT 6" PIPE OR BOX STRUT WITH TIERED PADDLE BRACING

STIFFENER CONNECTION

SEE PLANS & ELEVATIONS FOR MARK NUMBERS AND LOCATIONS

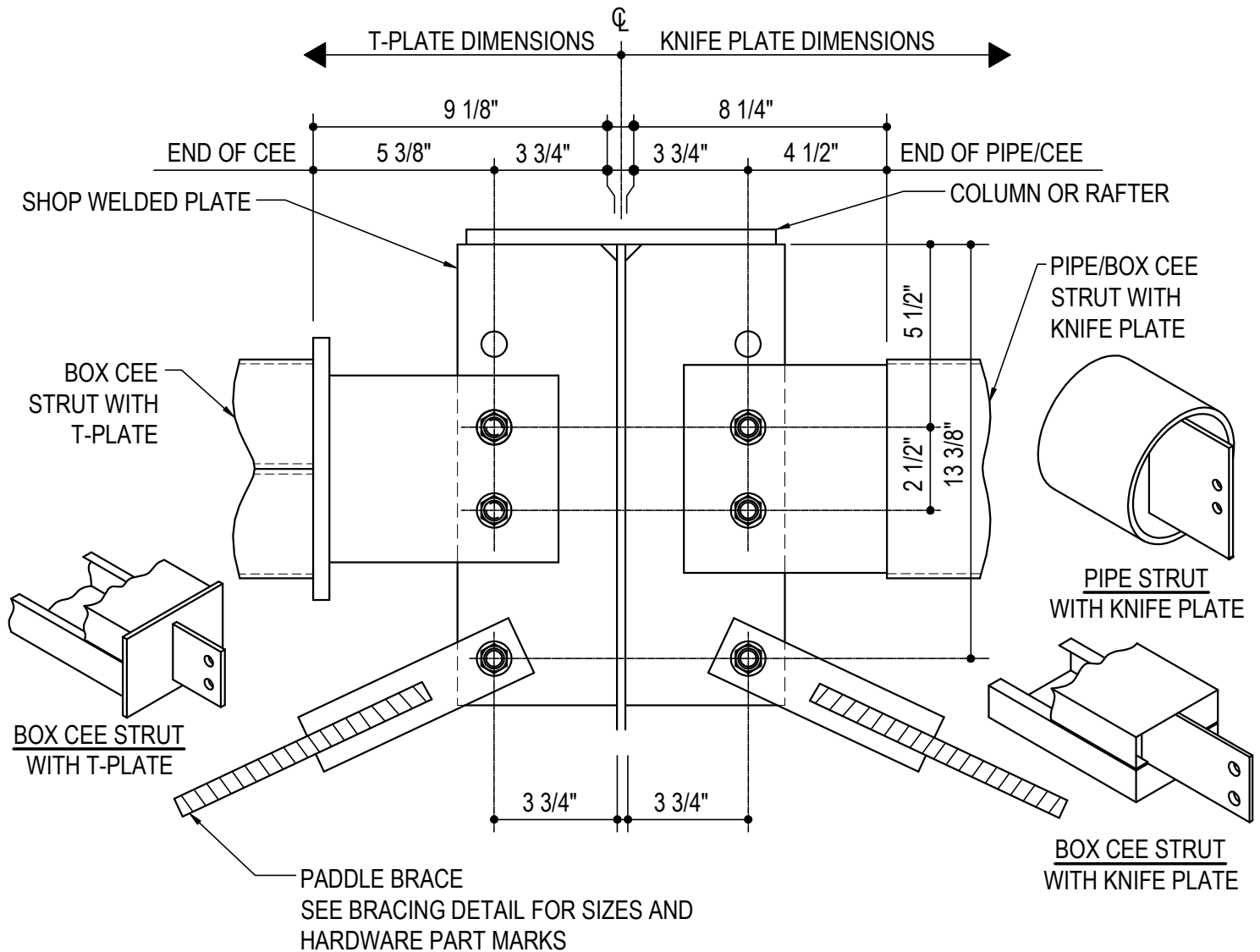
**AK0166**

Detailer Notes:

- 1) FOR PSC STANDARD PART MARKS AND THEIR LOCATIONS, SEE THE FABRICATED PARTS MANUAL AND THE DETAILING PROCEDURES MANUAL

AK0167 - 2-BOLT 6" PIPE OR BOX STRUT AT WEB WITH PADDLE BRACE (WITH LINER AT STIFFENER CONNECTION)

[Download the DWG file by clicking here.](#)



NOTE: USE (2) 1" X 3 1/4" A325 BOLTS H0640/NUTS H0330 AT STRUT CONNECTION

## 2-BOLT 6" PIPE OR BOX STRUT AT WEB WITH PADDLE BRACE

WITH LINER AT STIFFENER CONNECTION

SEE PLANS & ELEVATIONS FOR MARK NUMBERS AND LOCATIONS

**AK0167**

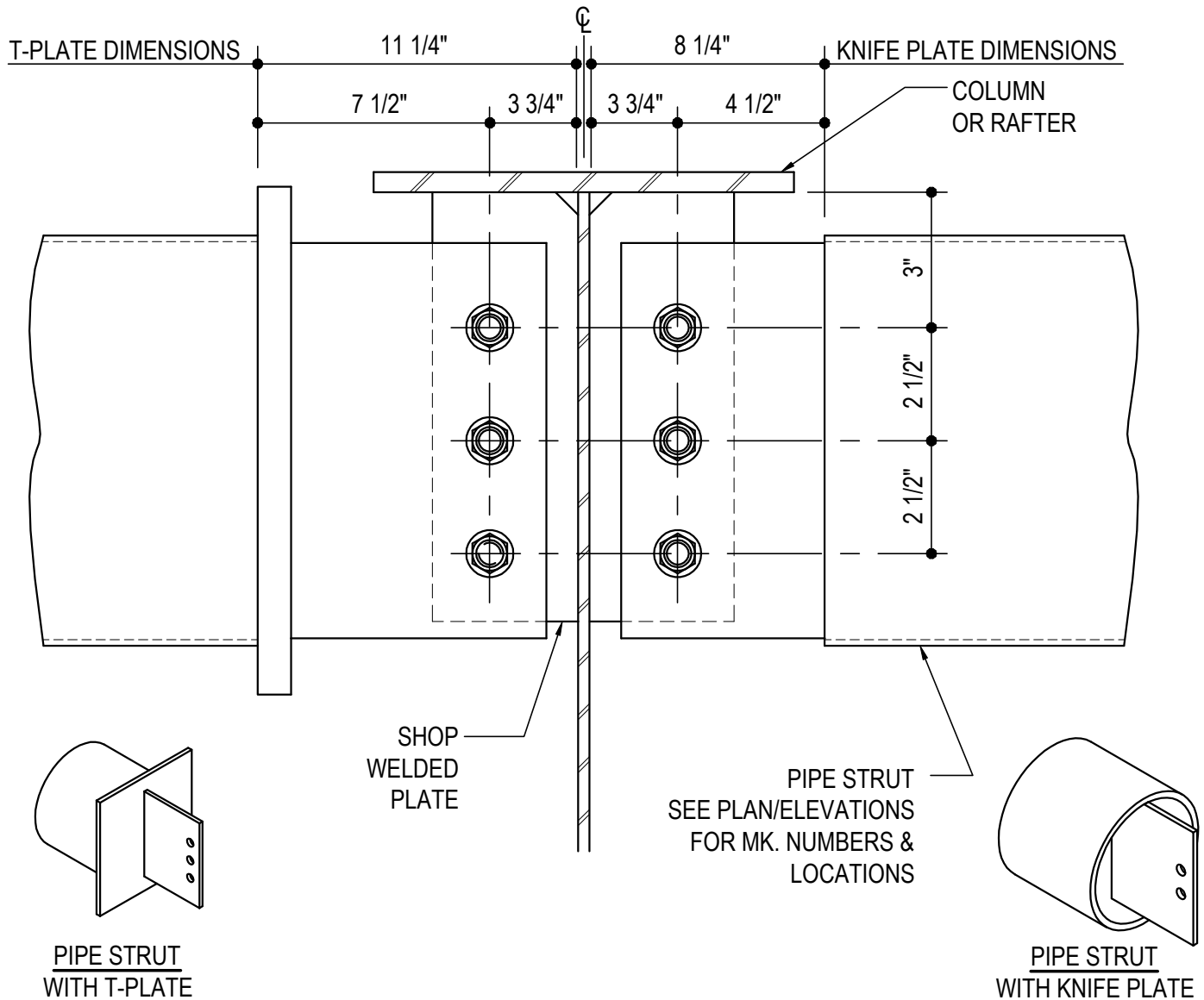
Detailer Notes:

- 1) FOR PSC STANDARD PART MARKS AND THEIR LOCATIONS, SEE THE FABRICATED PARTS MANUAL AND THE DETAILING PROCEDURES MANUAL.
- 2) USE THIS DETAIL WHEN WALL AND/OR ROOF LINER INTERFERES WITH STRUT
- 3) USE THIS DETAIL WHEN BUILDING HAS FLUSH GIRTS WITH ROOF SLOPE GREATER THAN OR EQUAL TO 4:12



AK0170 - 3-BOLT 8" PIPE STRUT AT COLUMN/RAFTER (STIFFENER CONNECTION WITH 10" MIN. COLUMN/RAFTER)

[Download the DWG file by clicking here.](#)



NOTE: USE (3) 1" X 3 1/4" A325 BOLTS H0640/NUTS H0330

## 3-BOLT 8" PIPE STRUT AT COLUMN/RAFTER

STIFFENER CONNECTION WITH 10" MIN. COLUMN/RAFTER  
SEE PLANS & ELEVATIONS FOR MARK NUMBERS AND LOCATIONS

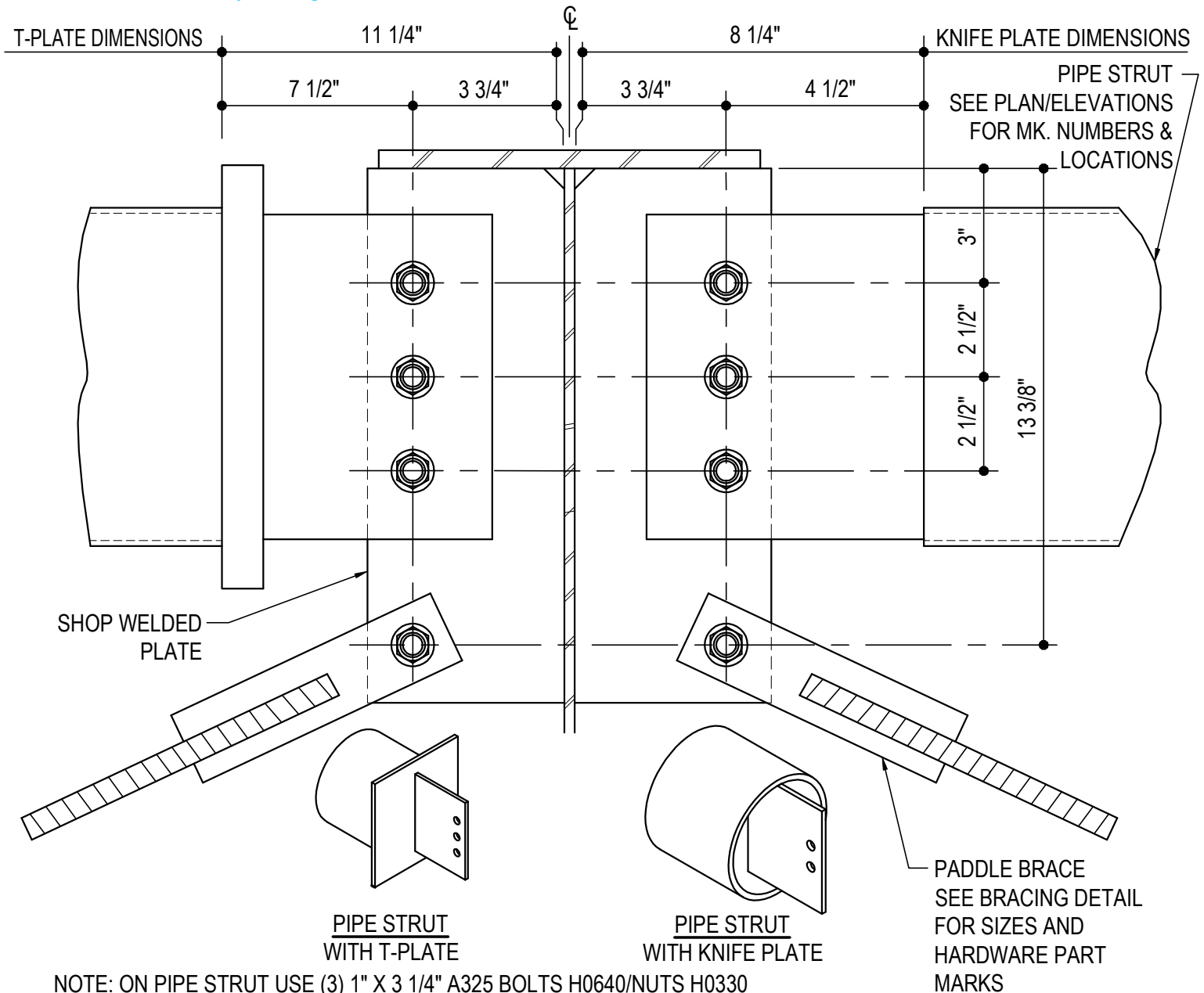
**AK0170**

Detailer Notes:

- 1) FOR PSC STANDARD PART MARKS AND THEIR LOCATIONS, SEE THE FABRICATED PARTS MANUAL AND THE DETAILING PROCEDURES MANUAL

AK0175 - 3-BOLT 6"/8" PIPE STRUT AT WEB OF COLUMN/RAFTER (STIFFENER WITH PADDLE BRACE)

[Download the DWG file by clicking here.](#)



NOTE: ON PIPE STRUT USE (3) 1" X 3 1/4" A325 BOLTS H0640/NUTS H0330

## 3-BOLT 6"/8" PIPE STRUT AT WEB OF COLUMN/RAFTER

STIFFENER CONNECTION WITH PADDLE BRACE  
SEE PLANS & ELEVATIONS FOR MARK NUMBERS AND LOCATIONS

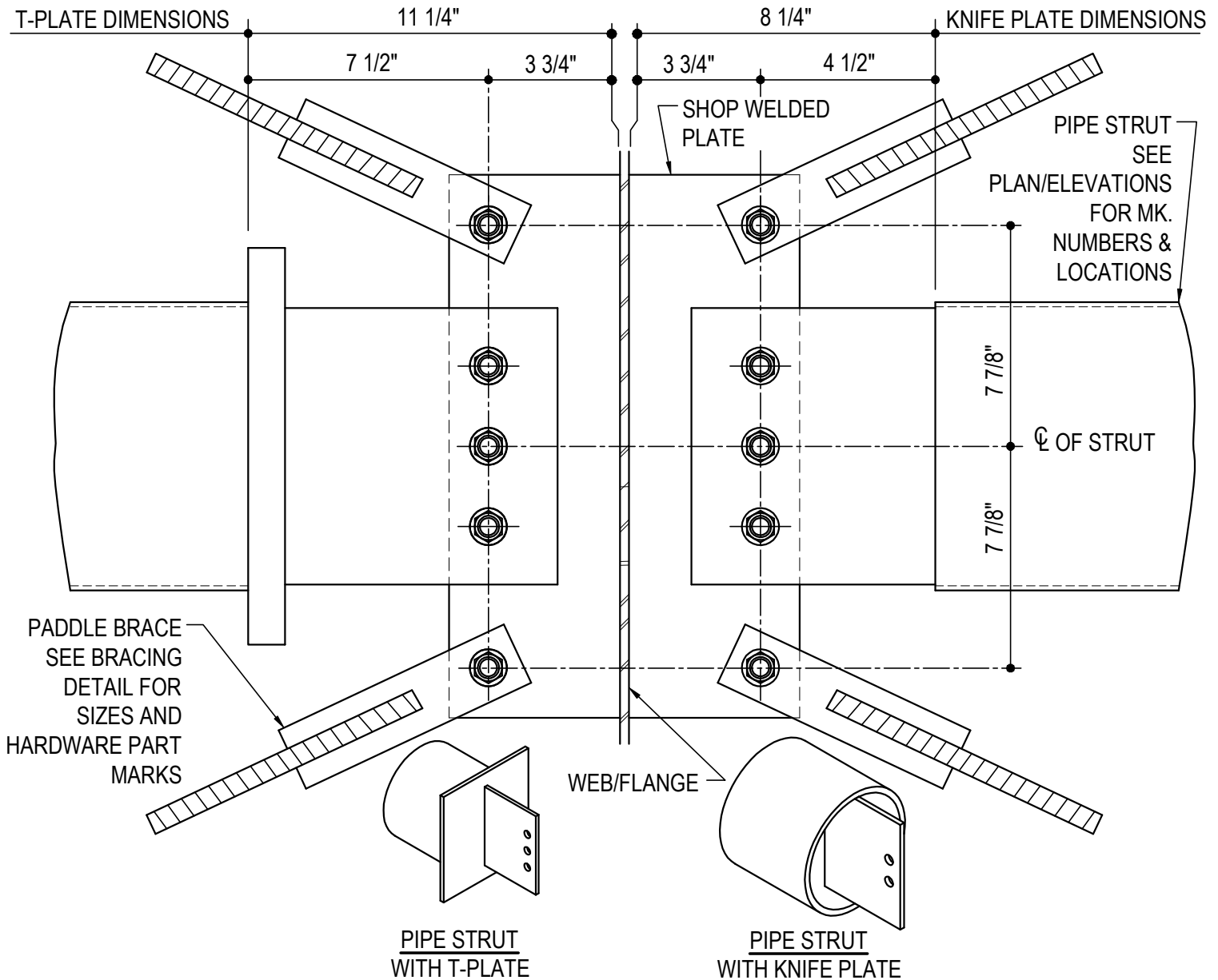
**AK0175**

Detailer Notes:

- 1) FOR PSC STANDARD PART MARKS AND THEIR LOCATIONS, SEE THE FABRICATED PARTS MANUAL AND THE DETAILING PROCEDURES MANUAL

AK0176 - 3-BOLT 6"/8" PIPE STRUT WITH TIERED PADDLE BRACING (STIFFENER CONNECTION)

[Download the DWG file by clicking here.](#)



NOTE: ON PIPE STRUT USE (3) 1" X 3 1/4" A325 BOLTS H0640/NUTS H0330

## 3-BOLT 6"/8" PIPE STRUT WITH TIERED PADDLE BRACING

STIFFENER CONNECTION

SEE PLANS & ELEVATIONS FOR MARK NUMBERS AND LOCATIONS

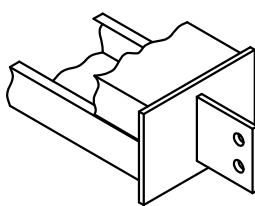
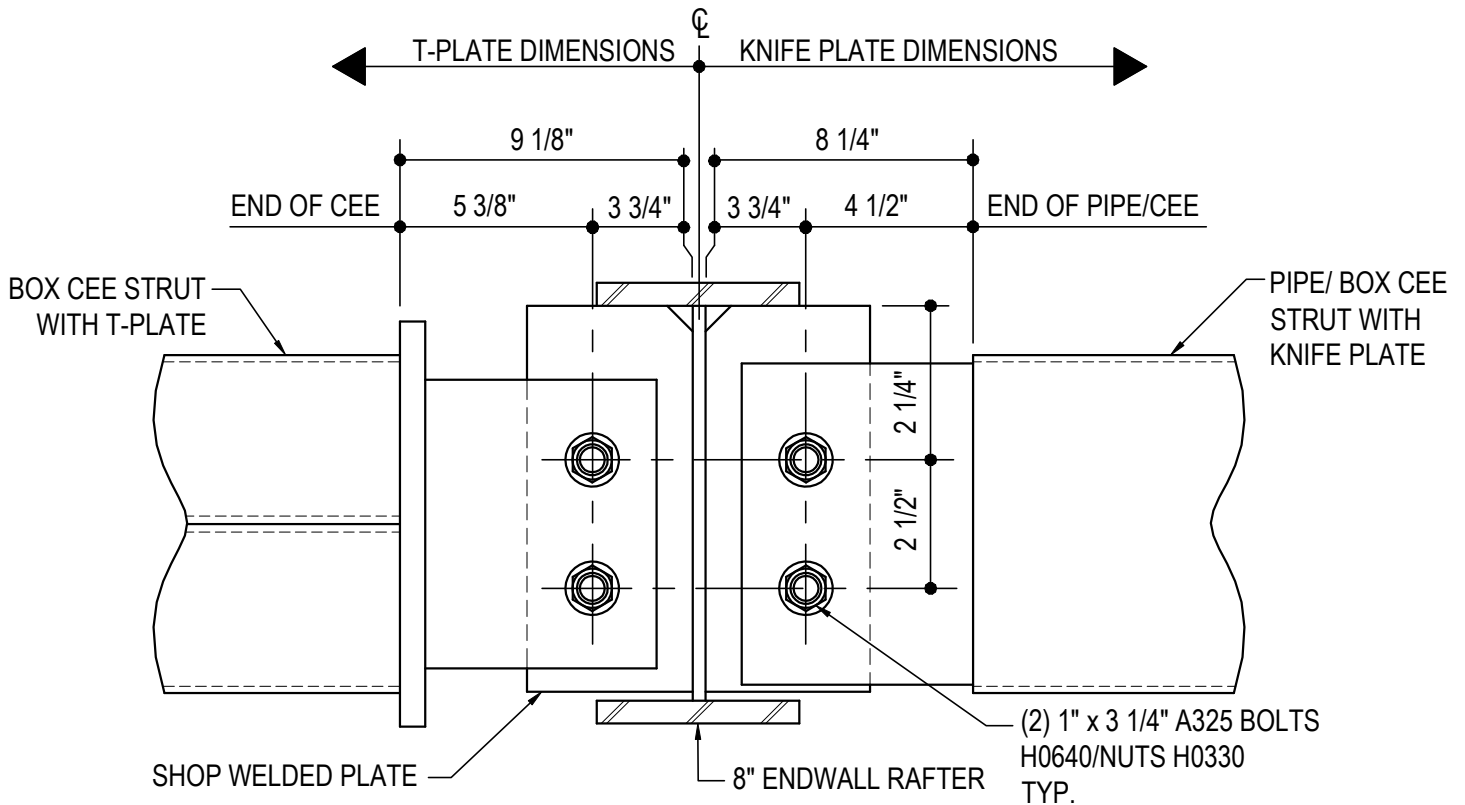
**AK0176**

Detailer Notes:

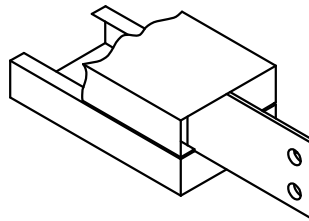
- 1) FOR PSC STANDARD PART MARKS AND THEIR LOCATIONS, SEE THE FABRICATED PARTS MANUAL AND THE DETAILING PROCEDURES MANUAL

AK0177 - 2-BOLT STRUT AT 8" ENDWALL (6" PIPE OR BOX CEE STRUT)

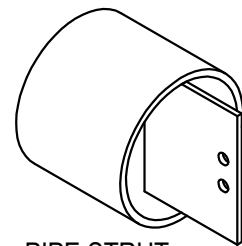
[Download the DWG file by clicking here.](#)



BOX CEE STRUT  
WITH T-PLATE



BOX CEE STRUT  
WITH KNIFE PLATE



PIPE STRUT  
WITH KNIFE PLATE

## 2-BOLT STRUT AT 8" ENDWALL (6" PIPE OR BOX CEE STRUT)

SEE PLANS & ELEVATIONS FOR MARK NUMBERS AND LOCATIONS  
REFERENCE ERECTOR NOTE FOR TYPICAL WASHER REQUIREMENTS

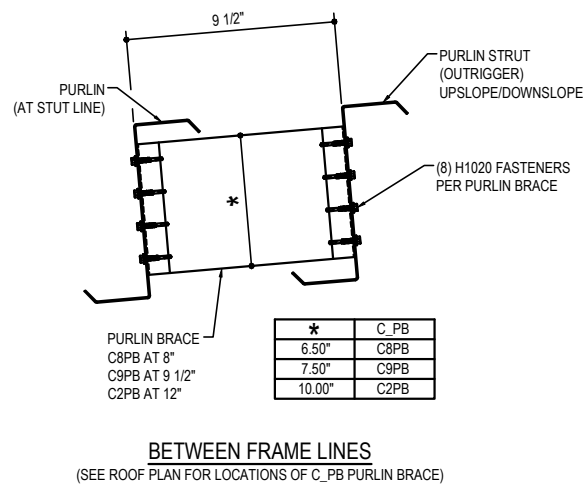
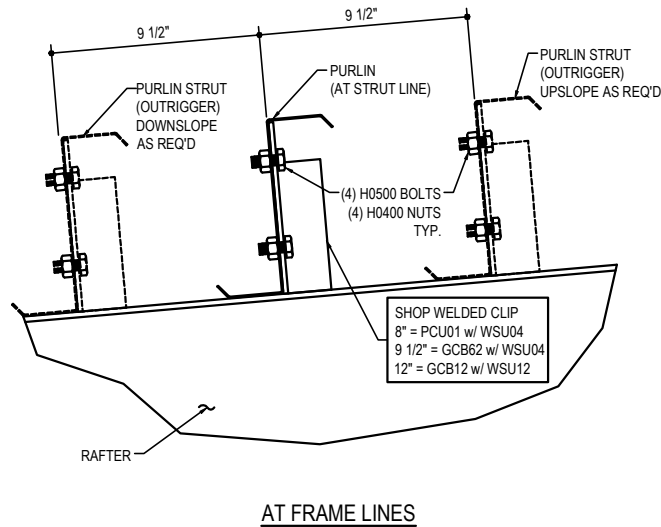
**AK0177**

Detailer Notes:

- 1) FOR PSC STANDARD PART MARKS AND THEIR LOCATIONS, SEE THE FABRICATED PARTS MANUAL AND THE DETAILING PROCEDURES MANUAL

## AK0300 - STRUT PURLIN DETAIL

[Download the DWG file by clicking here.](#)



### STRUT PURLIN DETAIL

SEE PLANS & ELEVATIONS FOR MARK NUMBERS AND LOCATIONS  
REFERENCE ERECTOR NOTE FOR TYPICAL WASHER REQUIREMENTS

AK0300

#### Detailer Notes:

- 1) N/A